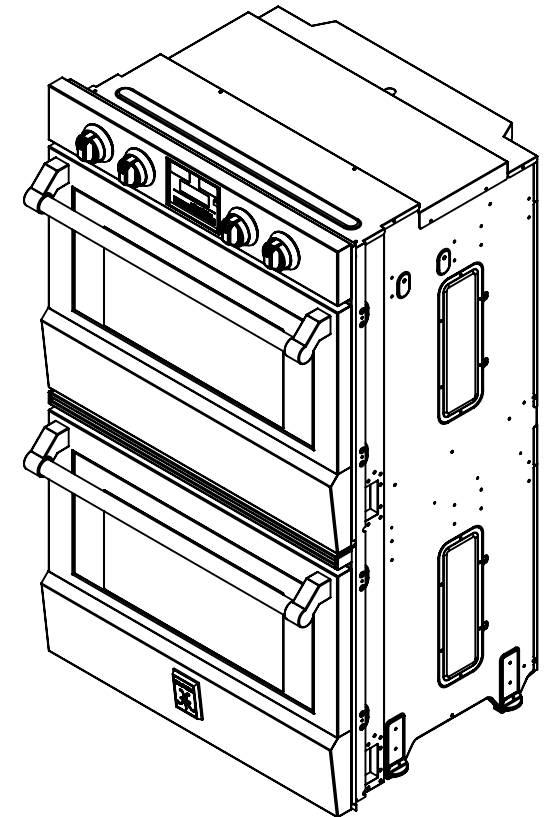
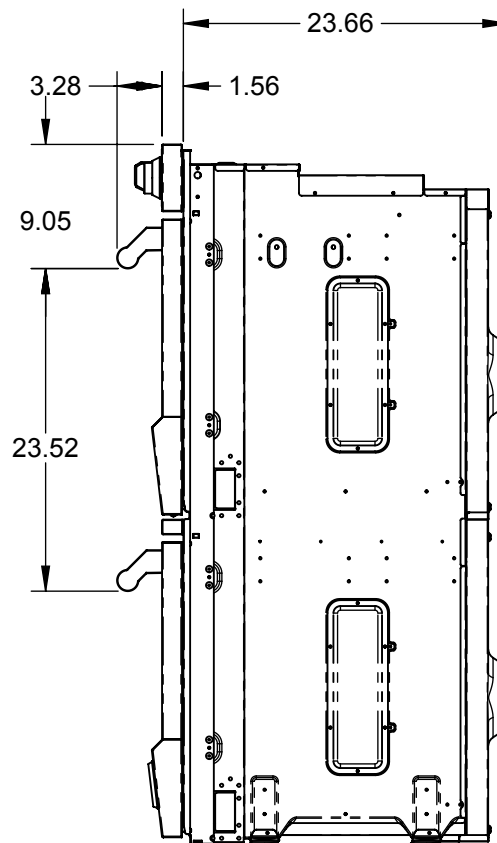
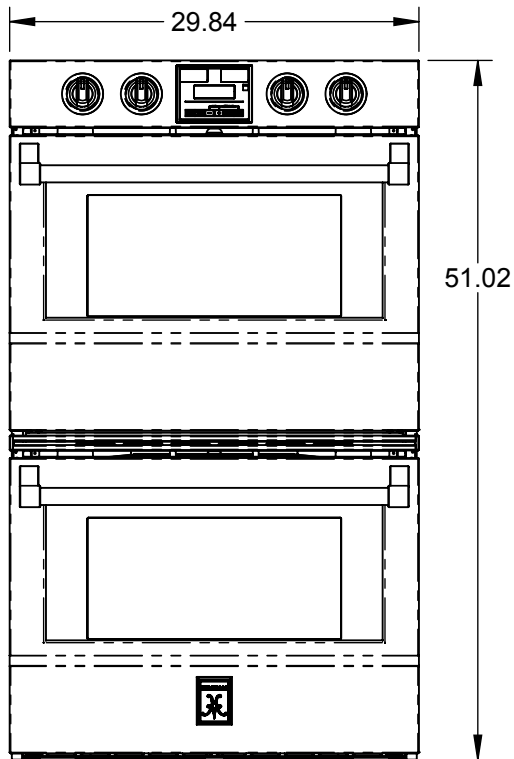
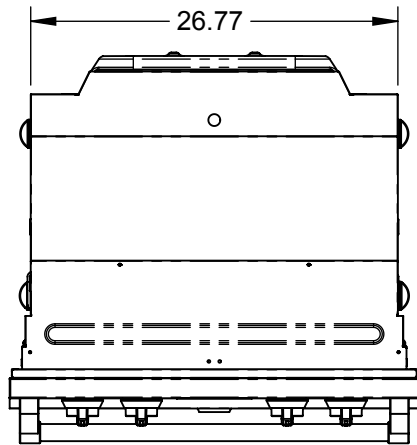


KDO30: 30" DOUBLE WALL OVEN

 HESTAN



SPECIFICATIONS:

DUAL-FAN CONVECTION
PYROLYTIC SELF-CLEAN
TEMP. RANGE: 170-550°F
CAPACITY: 8.2 FT³ (usable)
HEATING ELEMENTS:
UPPER - 3500W
UPPER AUX. - 1032W
LOWER - 3000W
CONVECTION - 2 x 1300W
VOLTAGE: 240 / 208V - 60Hz
CURRENT: 16.9A (3.84kW) / 17.5A (3.54 kW)
WEIGHT: 350 LBS.
CUTOUT DIMS: 28.44"W X 23.25"D X 50"H

Last Revised: 6/13/18