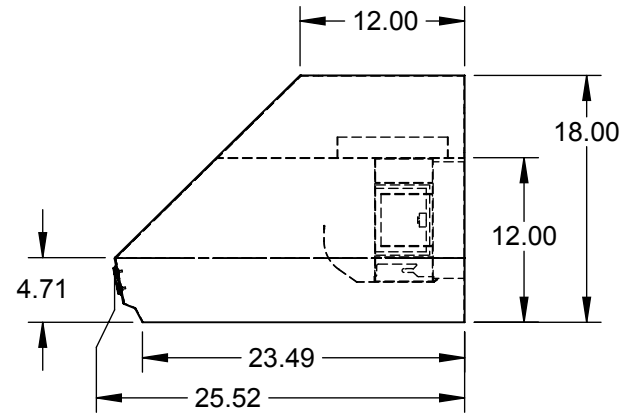
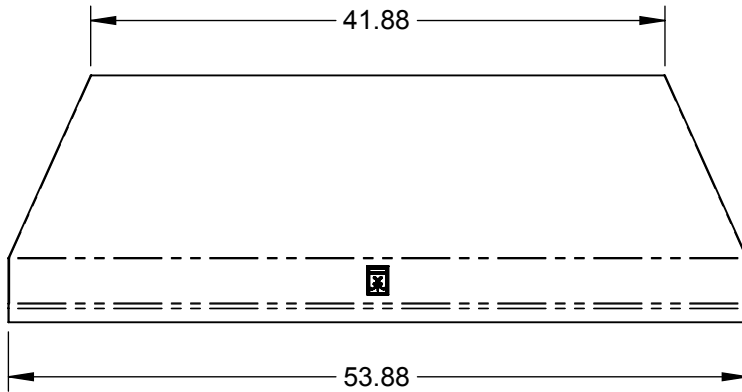
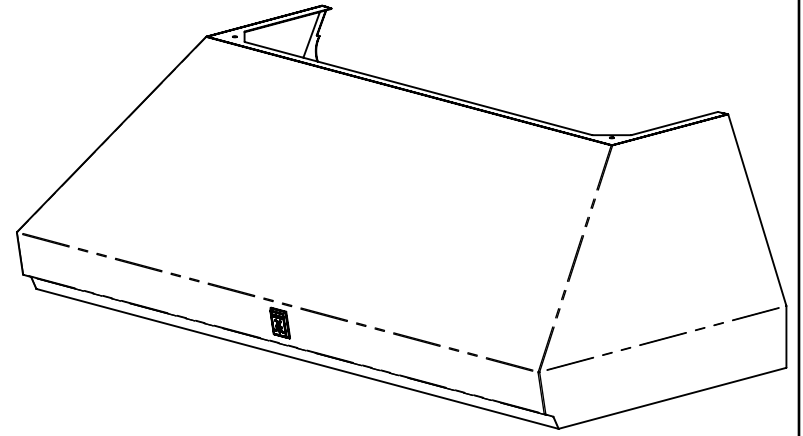
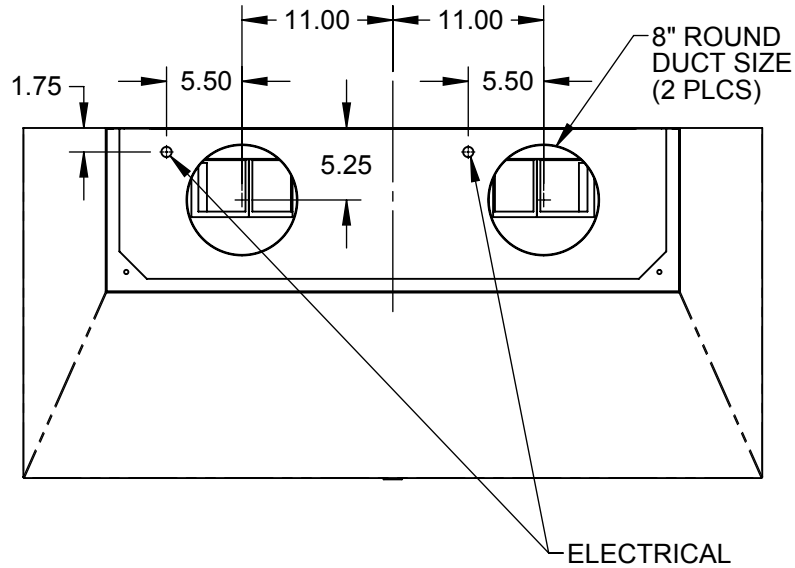


KVC54: 54" VENTILATION HOOD, CHIMNEY, 1200 CFM



SPECIFICATIONS:

WEIGHT: 90 LBS.
VOLTAGE: 120V - 60Hz
CURRENT: 7.5A
CFM (EQUIV. CFM): 1200 (1800)
NOISE: 6.6 Sones
OF LIGHTS: 4