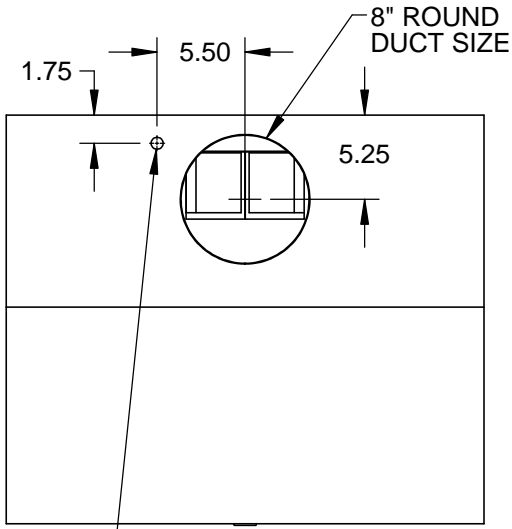
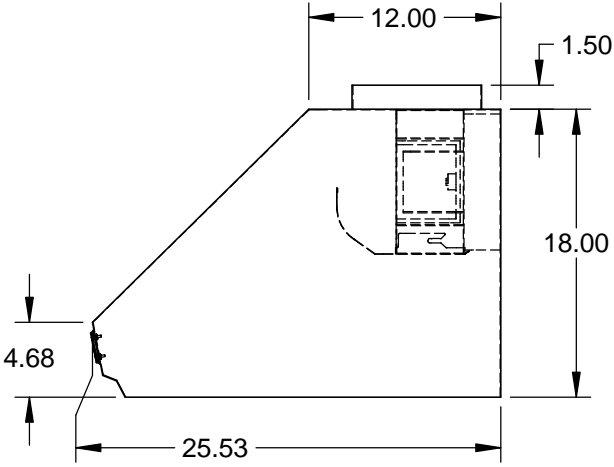
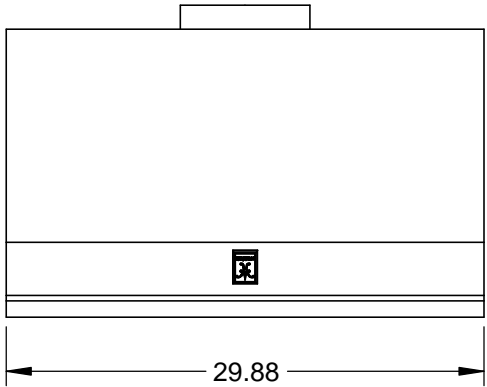
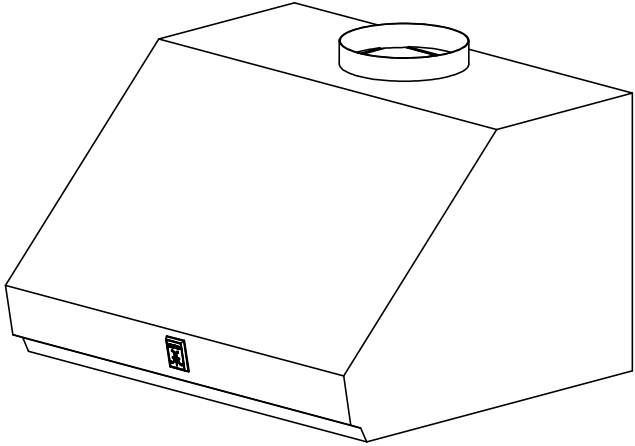


KVP30: 30" VENTILATION HOOD, PRO CANOPY, 600 CFM



ELECTRICAL



SPECIFICATIONS:

- WEIGHT: 45 LBS.
- VOLTAGE: 120V - 60Hz
- CURRENT: 4.0A
- CFM (EQUIV. CFM): 600 (900)
- NOISE: 6.5 Sones
- # OF LIGHTS: 2