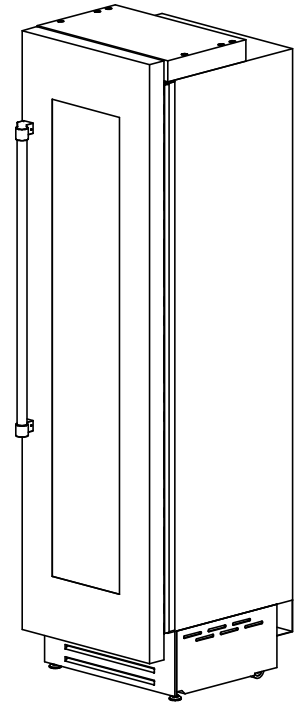
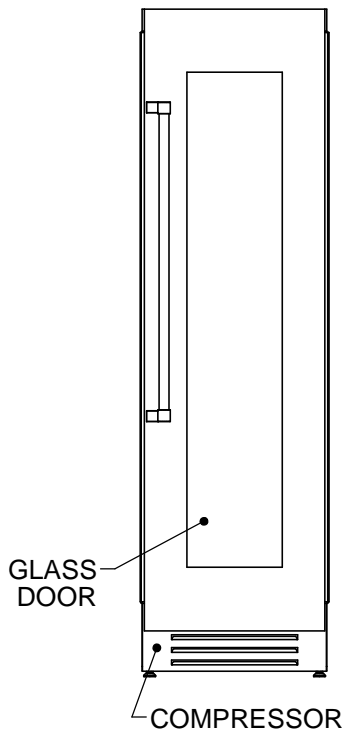
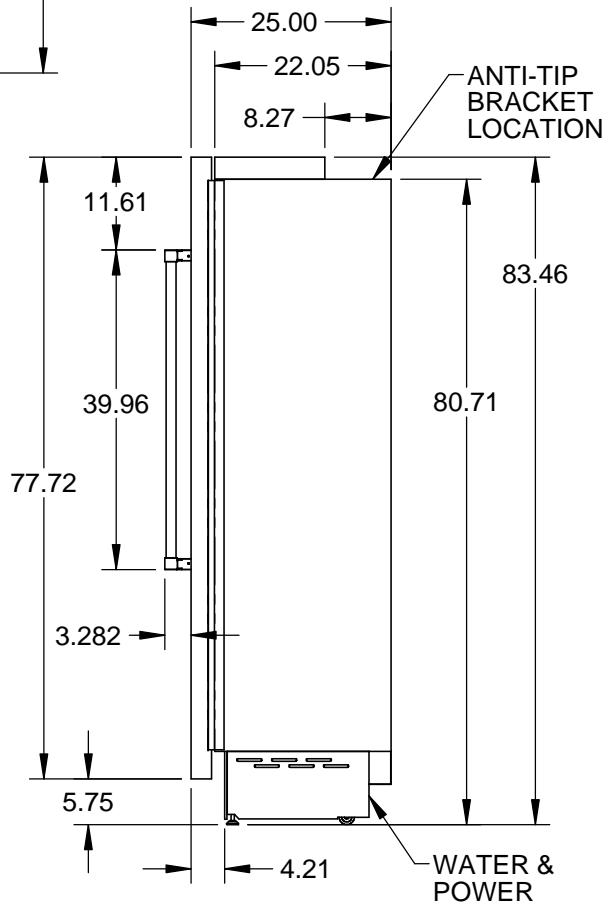
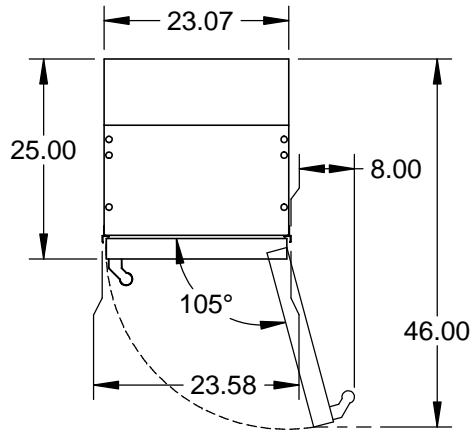


KWCR24: 24" WINE COLUMN, RIGHT HINGED



NOTE: A 90° DOOR OPENING IS SUFFICIENT TO ALLOW FULL EXTRACTION OF THE INNER DRAWERS, EVEN IF THE APPLIANCE IS DIRECTLY ADJACENT TO A WALL. HOWEVER IF 105° OPENING IS DESIRED, THEN POSITION APPLIANCE AT 8" DISTANCE SHOWN.



**CUTOUT REQUIREMENTS:
24W X 84H X 25D**

SPECIFICATIONS:

FRIDGE CAPACITY: 13 FT³
 FREEZER CAPACITY: n/a
 BOTTLE CAPACITY: 72
 VOLTAGE: 115V - 60Hz
 CURRENT: 1.4A
 ENERGY USE: 296 kWh/yr
 REFRIGERANT: R134a
 FRIDGE GAS FILL: 6.0 oz
 FREEZER GAS FILL: n/a
 WEIGHT: 452 LBS.